

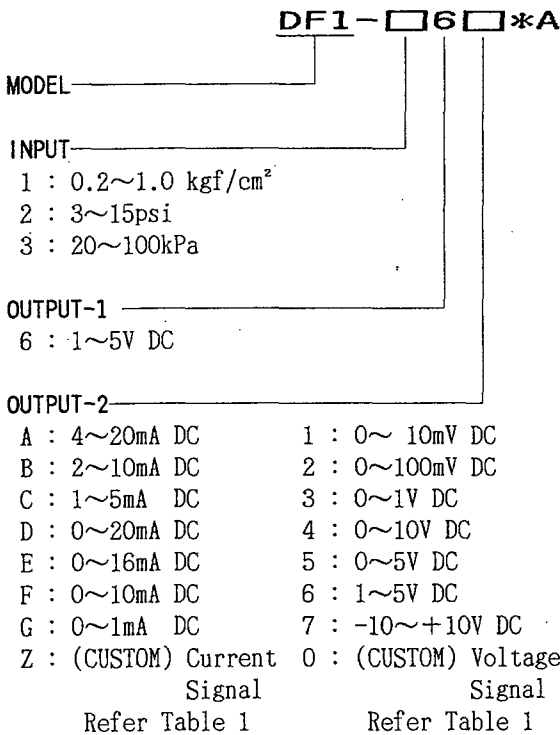
General Specifications

Model DF1
P/E Transducer

JUXTA

This nest storing type P/E transducer for DCS converts pneumatic signal of 20~100kPa, 0.2~1.0kgf/cm² or 3~15psi into various current or voltage signals.

- No positional error.
- Compact type, high quality by using semiconductor pressure sensor.



POWER SUPPLY
24V DC±10%

ORDERING INFORMATION

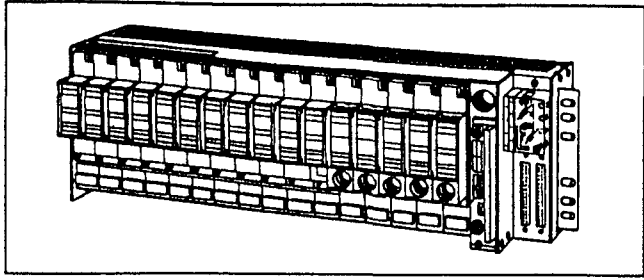
- Model Code : (Example) DF1-16A*A

Input & Output	
Input signal : 20~100kPa, 0.2~1.0 kgf/cm ² or 3~15psi dry, non-corrosive air	
Permissible input pressure : Less than 200kPa, 2.0 kgf/cm ² or 28psi	
Input signal connecting hole : RC 1/4 (PT 1/4) female screw	
Permissible load resistance :	
Output Range	Output Range
4~ 20mA DC below 750Ω	0~ 10mV DC over 250KΩ
2~10mA DC " 1500Ω	0~100mV DC " 250KΩ
1~5mA DC " 3000Ω	0~1V DC " 2KΩ
0~20mA DC " 750Ω	0~10V DC " 10KΩ
0~16mA DC " 900Ω	0~5V DC " 2KΩ
0~10mA DC " 1500Ω	1~5V DC " 2KΩ
0~1mA DC " 15KΩ	-10~+10V DC " 10KΩ
Zero point adjust range : ±5% of span	
Span adjust range : ±5% of span	
Standard Performance	
Accuracy rating : Output-1 : ±0.5% of span Output-2 : Relative error for Output-1 : ±0.2% or less However, output less than 0.5% is out of warranty in case of output range is 0~x mA	
Response speed : 100ms 63% response (10~90%)	
Insulation resistance : Below 100MΩ (at 500V DC) between output~power supply~aluminum diecast	
Voltage withstand : 500V AC/1 minute between output~power supply~aluminum diecast	
Temperature range : 0~50° C	
Humidity range : 5~90% RH (no condensation)	
Power voltage : 24V DC±10% (ripple content : 5% p-p or less)	
Effect of power voltage fluctuation : Less than ±0.1% of span for 24V DC±10% fluctuation	
Effect of ambient temperature change : Less than ±0.4% of span for 10° C change	
Current dissipation : 24V DC 80mA(4~20mA DC) 50mA(1~5V DC)	
Mounting & Dimension & Accessories	
Mounting method : Store in exclusive nest (signal·power supply be connected through back board and connector)	
Wiring : [Connection to I/O card] By exclusive cable (connector connection)	
External dimension : 130.6x23.6x126mm (HxWxD)	
Weight : About 150g	
Accessories : Tag number label ... 1	

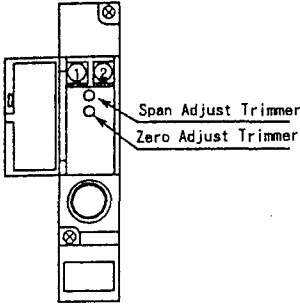
CUSTOM ORDER SPECS.-----

Table 1 Manufacturable Range

	Current Signal	Voltage Signal
Output Range	0~24mA DC	-10~+10V DC
Span	1~24mA DC	10mV~20V DC
Zero Elevation	0~200%	-100~+200%

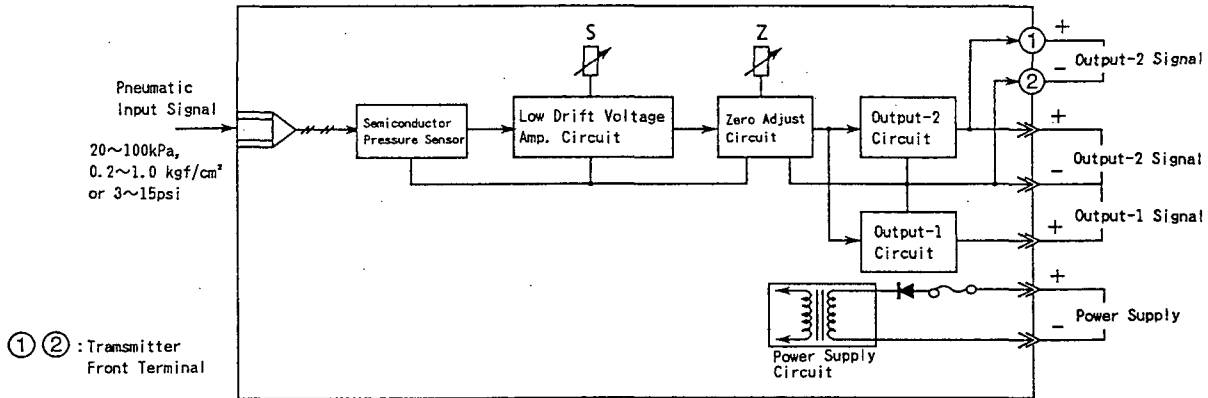


TERMINAL ARRANGEMENT -----

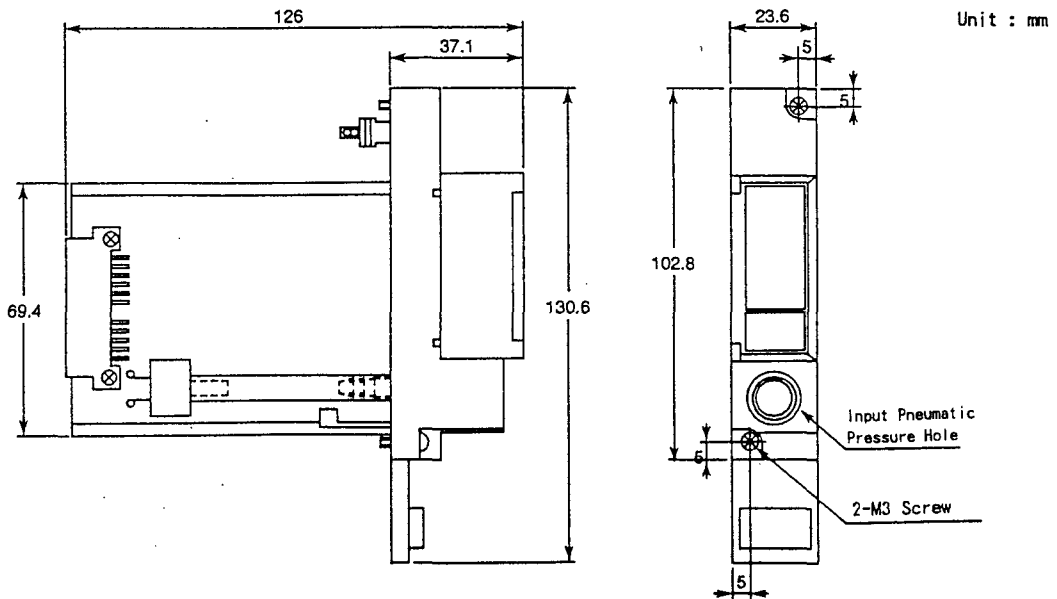


TML	REMARKS
1	OUTPUT-2 (+)
2	OUTPUT-2 (-)
⊙	INPUT 20~100kPa, 0.2~1.0kgf/cm ² or 3~15psi

BLOCK DIAGRAM -----



EXTERNAL DIMENSIONS -----



Subject to change without notice for grade up quality and performance